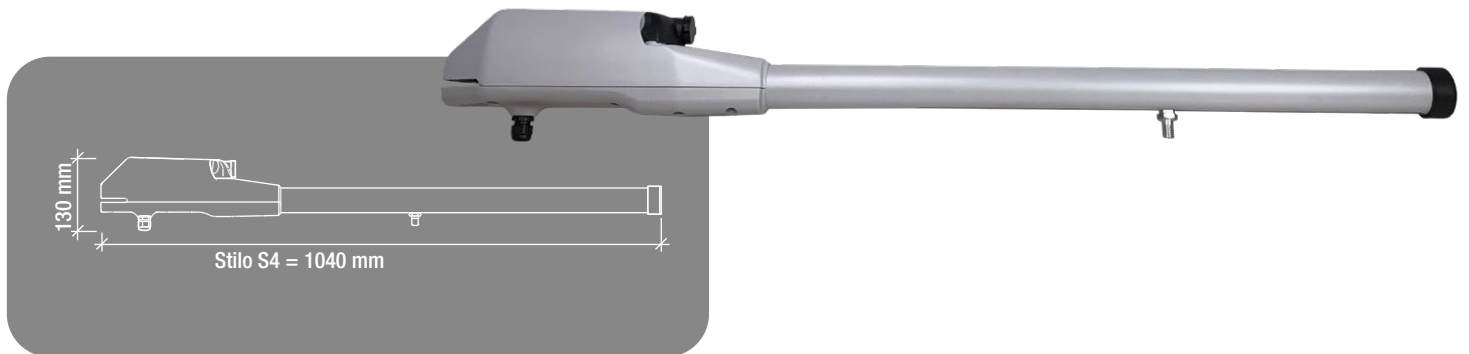


Stilo S

Linear extending ram opener 230V and 24V
for swing gates with leaves up to 3m long

- Strictly aluminium shell and bronze transmitting gearing
- FM version, integrated with on-board mechanical stops, for controlling gate travel
- Suitable also for heavy gates up to 400Kg per leaf
- Quick installation and easy maintenance
- 24V version available for intensive use



STILO S4/FM 24V STILO S4/FM 230V STILO S4/FM 115V

	V	24V dc	230V~50Hz	115V~60Hz
Power supply	V	24V dc	230V~50Hz	115V~60Hz
Current	A	0,5 - 0,75	1,2 - 1,7	3,1 - 3,3
Motor power	W	50	300	300
Class protection	IP	44	44	44
Revolutions	g/m	1600	1400	1700
Duty Cycle	%	80	40	40

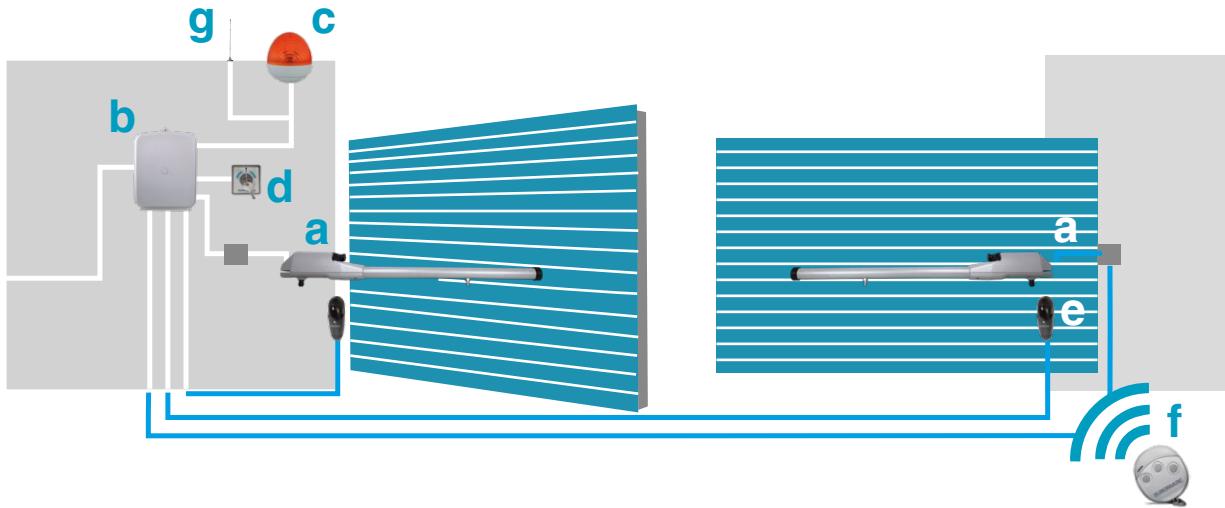


Stilo S4 230	230V	100°	350 Kg	2,50 m
Stilo S4 230 FM	230V	100°	350 Kg	2,50 m
Stilo S4 24	24V	100°	200 Kg	2,50 m
Stilo S4 24 FM	24V	100°	200 Kg	2,50 m
Stilo S4 115	115V	100°	350 Kg	2,50 m
Stilo S4 115 FM	115V	100°	350 Kg	2,50 m

Retractable inox pipe

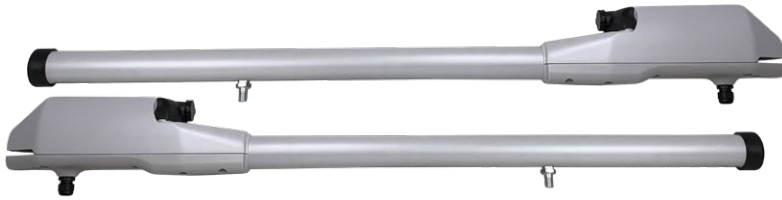


SCHEME ASSEMBLY



- a** motors
- b** control unit
- c** blinker light
- d** key switch
- e** photocells receiver
- f** photocells transmitter
- g** aerial (OPT)

KIT CONTENTS:



Motors



Control unit



Photocells set
RF37



Transmitters
JEDI



Blinker light
EGGY



Key-switch
ELECTRO

OPTIONAL ACCESSORIES



Keypad
D007



Aerial
ANT02



Electric lock interface
MEL03/04

3 YEARS OF WARRANTY

RELIABLE

SAFE

EASY TO INSTALL
EASY TO BE PROGRAMMED